

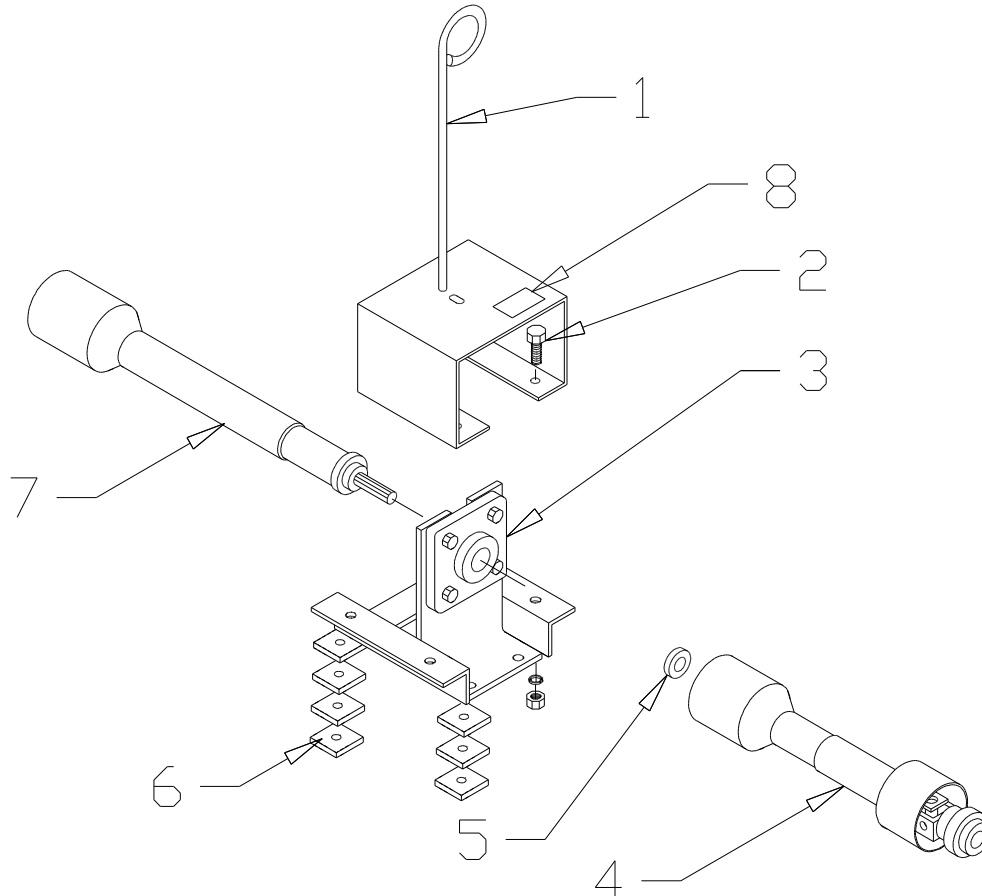
## PRO-MAX 36 – PTO UPDATE

The Pro-Max 36 Rotary Finishing Mower has been sold for the past 2 years and there has been a number of machines that experienced failures of the Intermediate Driveshaft. Progressive Turf has decided to provide an update for all of the PM36 mowers affected to date. This will include all serial numbers from 0136002 to 0236026.

The problem is that on some machines the splined stub on the end of the intermediate shaft (item 1) has either broken off or twisted. The cause has mainly been for two reasons. The mower has had sudden surge of power from engaging the PTO too quickly causing the stub shaft to twist or the input shaft has bottomed out when turning causing the stub shaft to break.

Progressive Turf has provided a new intermediate shaft tube with a 1 3/4" diameter stub in place of the 1 3/8" original. This required the hanger bearing to be larger and a new yoke for the back of the input PTO shaft that is also supplied. There is also a new PTO shield tube for the Input Shaft that has an indicator for turning with the mower. This indicator will give the operator a visual position of the Input Shaft to eliminate fully collapsing the shaft.

**NOTE:** The slide yoke removed from the input shaft should be kept for a spare to be used on the tractor end of the shaft and the flange bearing removed can be used on the wings or the rear drive shaft.



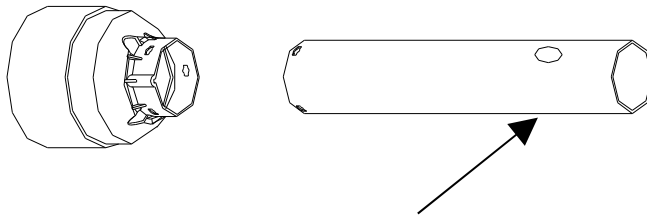
## **ITEMS INCLUDED IN PRO-MAX PTO UPDATE KIT**



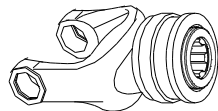
REPLACEMENT SHAFT TUBE FOR INTERMEDIATE SHAFT



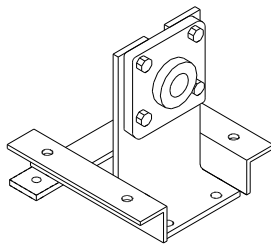
DISASSEMBLY TUBE FOR REMOVING THE YOKE SET FROM THE INTERMEDIATE SHAFT



REPLACEMENT SHIELD TUBE FOR THE INPUT SHAFT



REPLACEMENT YOKE FOR THE IMPLEMENT END ON THE INPUT SHAFT



REPLACEMENT PTO SUPPORT WITH LARGER BEARING AND SPACER

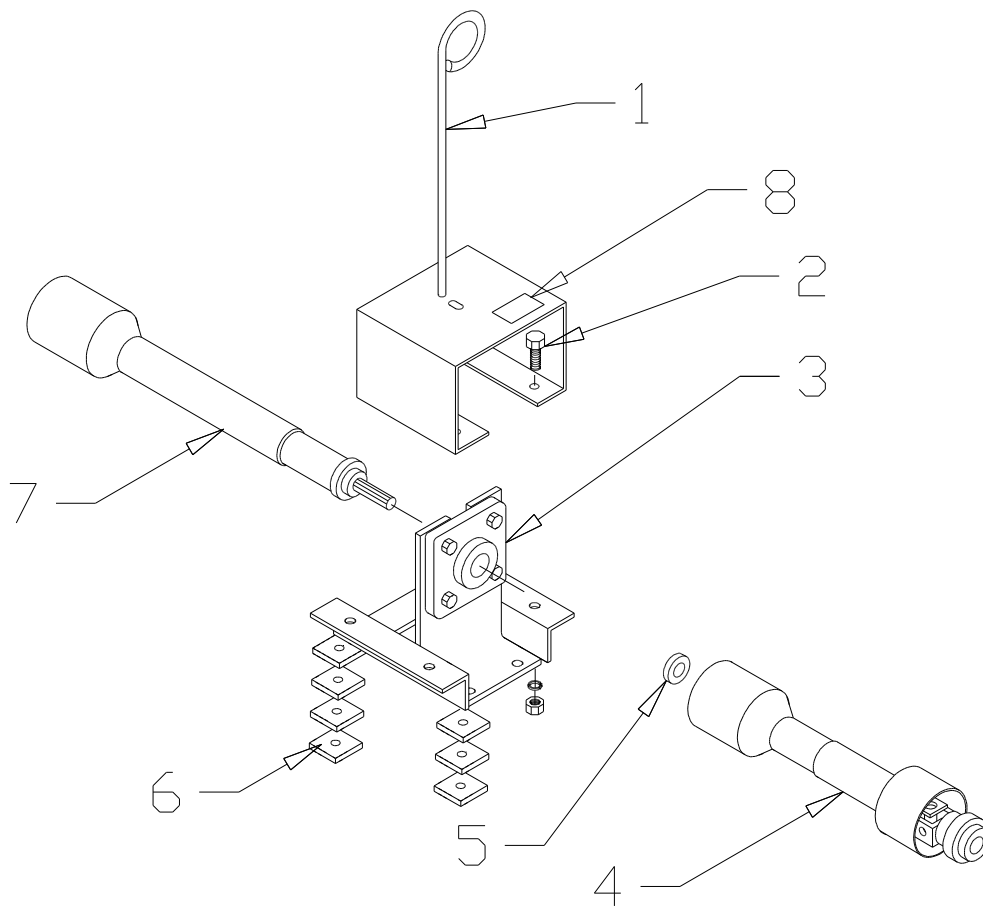


DECALS FOR THE HOSE SUPPORT AND TRACTOR

## **PTO UPDATE – INSTALLATION INSTRUCTIONS:**

### Updating the Input Shaft (item 4):

1. Remove the Input Shaft (item 4) from the tractor and then completely from the mower. Remove the Spacer (item 5) from the stub shaft.
2. Slide the shaft apart and into two halves. All the work will be done to the back (male) half.
3. Using a screwdriver, turn and remove the three white plastic clips and slide the shielding off.
4. Remove the connecting yoke with 1 3/8" – 6 tooth spline and replace with the new yoke 1 3/4" – 21 tooth spline.
5. Remove the black plastic tube from the shield and replace it with the new tube with the decal.
6. **NOTE:** The yoke removed from the shaft should be kept for a spare to be used on the tractor end of this shaft.



### Updating the Intermediate Shaft (item 7):

1. Remove the PTO Support Bracket (item 3) from the frame. Be sure not to lose the Spacers (item 6) under the bracket as they will need to be used again. Note the number of spacers under each corner so the same number can be replaced. This will keep the driveline level. **NOTE:** Keep the old bearing for a spare on the wings or rear driveshaft.
2. Slide the Intermediate Shaft (item 7) off the gearbox.
3. Remove the shielding. This is done by first removing the black shield. Remove the 3 clips on the stub shaft end, remove the white holding ring and slide the shielding off over the stub shaft.
4. Remove the clips from the yellow shield and slide off.
5. The yoke set can now be removed from the tube. Drive the roll pin out first.
6. Slide the Drive Tube, included in the kit, over the shaft and set the shaft on the floor with a small wood 2 x 4 under the one end. See photo 1.
7. With quick and hard sliding motion, drive the yoke set off the tube.
8. Take the new tube provided and start the yoke set on the end.
9. With the yoke started stand the assembly up on the piece of wood and pound it on as shown in photo 2. Watch for and align the roll pin hole in the yoke and tube.
10. Drive the roll pin in place through the yoke.
11. Replace all shielding.



Photo 1

Photo 2

Mounting Shafts Back on the Machine:

1. Slide the Intermediate Shaft (item 7) onto the main gearbox.
2. Take the PTO Support Bracket (item 3) and slide it onto the Intermediate Shaft and set it on the frame.
3. Align mounting holes and tighten the 4 bolts for mounting the PTO Support Bracket, making sure there are the same number of spacers under the bracket as before.
4. Slide the Intermediate Shaft forward tight against the bearing and tighten the 2 set screws of the bearing.
5. Slide the new Spacer (item 5) onto the stub shaft.
6. Re-mount the hose support (item 1).
7. Mount the Input and re-hook to the tractor.
8. Do a final check of the alignment. The Intermediate Shaft and Input Shaft should be in a straight line from the main gearbox. If not, adjust the number of spacers under the PTO Support Bracket. (see page 13 of manual)

Operating and Safety Decal:

1. There are 2 decals included in the kit. One is to be mounted on the Hose Support (item 1) shown as (item 8) and the other should be mounted on the tractor in normal viewing range of the operator.
2. After mounting the decals review the turning procedure with the operator. They must understand that when turning in the field, while operating the mower, the yellow portion of the shield on the input shaft **MUST REMAIN IN THE GREEN**. Operating in the **RED** will **INTRODUCE HIGH VIBRATIONS** to the shaft and **DANGEROUSLY CLOSE TO BOTTOMING OUT**. (see “Check PTO Length During Transportation”, page 17 of manual)



Final Paper Work:

1. Fill out the information on the Machine Update Registration Form and fax or e-mail it to Progressive Turf.

Fax 1-800-666-6772

e-mail [John@progressiveturfequip.com](mailto:John@progressiveturfequip.com)

**Progressive Turf - Pro Max 36 PTO Update Form**

Owners Name: \_\_\_\_\_

Machine Serial Number: \_\_\_\_\_

Date of Installations: \_\_\_\_\_

Please Fax or E- mail this form to Progressive Turf

Fax 1-800-666-6772

e-mail [John@progressiveturfequip.com](mailto:John@progressiveturfequip.com)