

Service Bulletin: 521725 PTO Shaft

Part #521725, Intermediate Z50 shaft used on Pro-flex 120/TD65/TD65-2

For a period between 2003 and 2006, this PTO shaft was changed to one with a new shield. The shielding seen in "Diagram 1A" was used before this, and was changed to shielding seen in "Diagram 2B" for this period of time. See diagrams below on page.

If your Progressive Mower has an intermediate shaft with shielding as seen in "Diagram 2B", the parts breakdown listing for the inner yoke found in your machine parts book is incorrect. Part #521721 (Yoke - Outer Tube) must be changed to Part #521721.50 (Yoke - Inner Tube). The size of hole for mounting yoke on the shaft is different in each application.

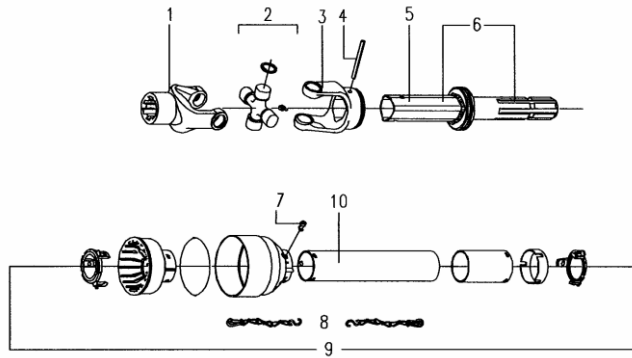
Diagram 1A



Diagram 2B



INTERMEDIATE PTO SHAFT A & C MODELS ONLY



INTERMEDIATE PTO SHAFT

	1A	2B		
ITEM	PN	PN	DESCRIPTION	QTY.
1	521719	521719	SPLINED YOKE	1
2	521720	521720	CROSS & BEARING KIT	1
3	521721	521721.50	YOKE FOR OUTER TUBE	1
4	521722	521722	ROLL PIN FOR OUTER TUBE	1
5	521451	521451	"DANGER" LABEL FOR TUBE	1
6	521723	NS	OUTER TUBE WITH SPLINED SHAFT	1
7	521463	521463	PLASTIC SHIELD BOLT (6PC/KIT)	6
8	521467	521467	SAFETY CHAIN	2
9	521724	NS	COMPLETE SHIELD TYPE "P" WITH LABEL	1
10	521455	521455	"DANGER" LABEL FOR OUTER SHIELD	1
***	521725		COMPLETED	1

NS.- NOT SERVICED

QTY.- REPRESENTS TOTAL NUMBER REQUIRED FOR ONE INTERMEDIATE PTO ASSEMBLY ONLY